

FutureAccess™ Type-C 28 GHz Frequency Converter IC



Overview

Fujikura's 28 GHz Frequency Converter IC with Wafer Level Package (WLP) design has upconverter and downconverter functions supporting dual polarization.

This IC integrates quadrupler with LO signal input of 7.1-8.8 GHz, mixers with IF signal input/output of 4.3-5.5 GHz and with RF signal input/output of 24.25-29.50 GHz. There are 2 RF ports for each polarization, which is convenient to connect to multiple Beamformer ICs.

The quadrupler is designed to minimize harmonic spurious. Optional high-Q Band Pass Filter (BPF) based on LCP (Liquid crystal polymer) can be used to suppress image spectrum and LO leakage, reducing levels of unwanted emissions.

Front view of IC



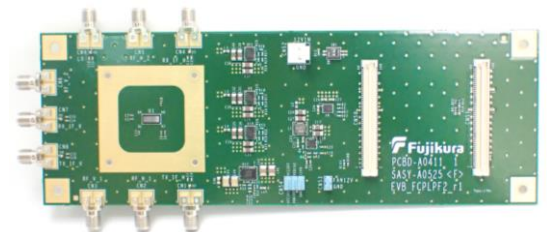
Size: 7.0 mm x 3.3 mm

Back view of IC



136 pin BGA (0.4 mm pitch)

Evaluation Board for IC

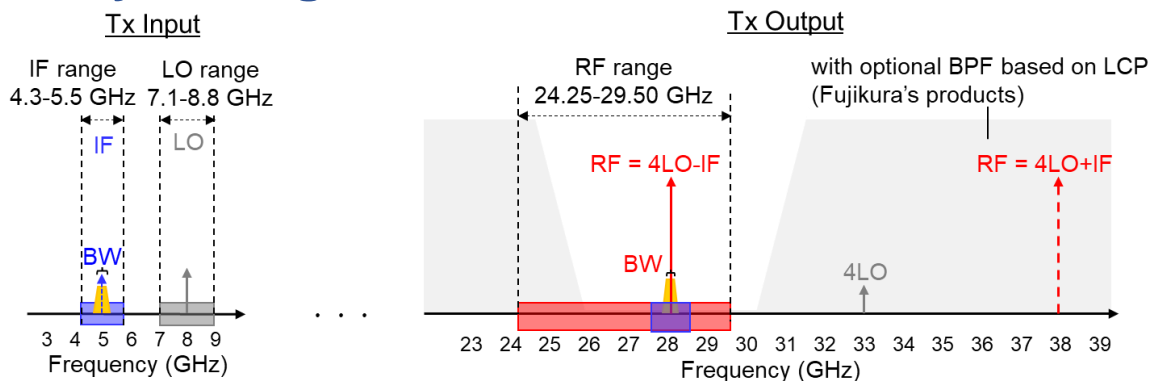


Size: 90 mm x 210 mm

Features

- 5GNR band fully supported: 24.25-29.5 GHz
- Low cost design : Fan out Wafer Level Package (FOWLP)
- Support dual polarization and 2 RF ports for each polarization
- LO frequency: 7.1-8.8 GHz with integrated quadrupler
- IF frequency: 4.3-5.5 GHz (4.9±0.6 GHz)
- LO leakage \leq -30 dBc and \leq -70 dBc with optional BPF
- Sideband \leq -40 dBc with optional BPF

Frequency Configuration of RF, IF and LO



MW96-11-25-0008(2)



E-mail : mmwavetech@jp.fujikura.com

Web site: <https://mmwavetech.fujikura.jp/5g/>

FutureAccess™ Type-C 28 GHz Frequency Converter IC



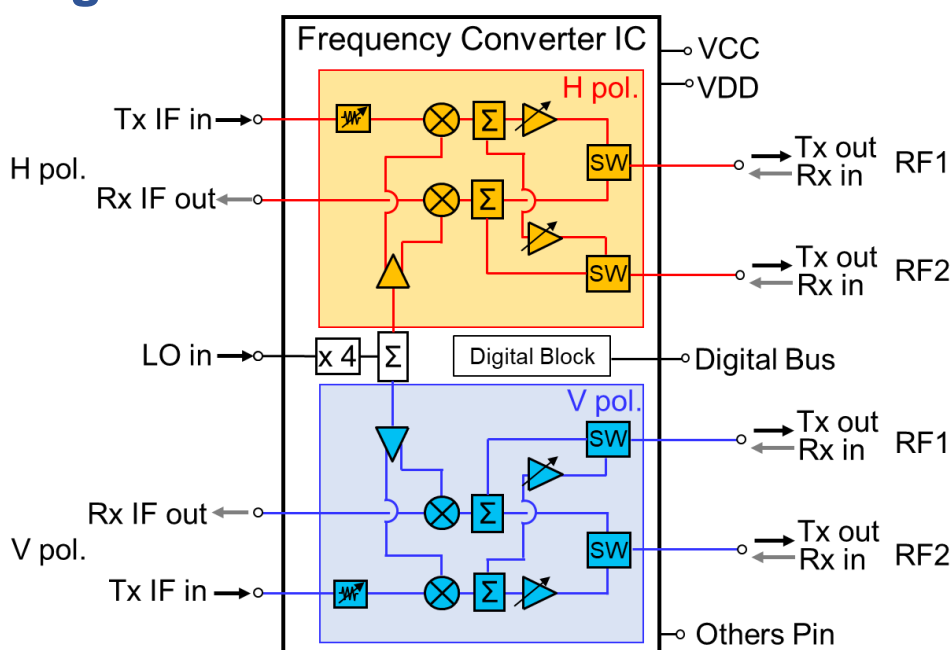
■ Specification

Parameter		Typical values
Frequency (GHz)	RF	24.25 to 29.50 (n257, n258, n261)
	IF	4.3 to 5.5
	LO	7.1 to 8.8
Input LO power range (dBm)		-5 to +5
Number of channels		2 (1 horizontal and 1 vertical channels)
TX/RX switching time (μs)		≤ 1
Operating temperature (°C)	at junction temperature	-40 to +125
Supply voltage (V)	Analog	1.5, 2.7
	Digital	1.2, 1.8
Package size (mm)		7.0 x 3.3

■ Part Number

Part number	Product name
FCPLP-F2N	28 GHz Frequency Converter IC
FCPLP-F2N-EVB	Evaluation Board for 28 GHz Frequency Converter IC

■ Block Diagram



■ Applications

- 5G NR Mobile Base Station
- Local 5G / Private 5G
- Fixed Wireless Access / Wireless Backhaul
- Repeater

Note;

- The values on the table shown above are preliminary, not guaranteed.
- Please refer to the PRODUCT WARRANTY (MW96-11-22-0044) for more detail.
- All contents in this brief are subject to change without any notice.

MW96-11-25-0008(2)



E-mail : mmwavetech@jp.fujikura.com

Web site: <https://mmwavetech.fujikura.jp/5g/>